



Project \_\_\_\_\_  
 AIA # \_\_\_\_\_ SIS # \_\_\_\_\_  
 Item # \_\_\_\_\_ Quantity \_\_\_\_\_ C.S.I. Section 114000

## G-SERIES

### 2-Section Refrigerator Pass-Thru Self-Contained Hinged Glass Door(s)



#### STANDARD PRODUCT FEATURES

- High Performance, Energy Efficient Refrigeration System Using R-290
- Reliable Microprocessor Control With LED Temperature Display
- Evaporator Coil Outside Food Zone Provides More Usable Space
- Load-Sure Guard Prevents Problems From Improper Loading
- Durable All-Metal Construction
- Stainless Steel Front & Louver Panel, Glass Door, Anodized Aluminum Sides & Interior
- Full or Half Height Door Models with a Variety of Hinging Configurations
- Long Life EZ-Clean Door Gaskets
- Three (3) Epoxy Coated Shelves Per Section (factory installed)
- Easy to Maintain Front Facing Condenser Coil
- 6" High Locking Casters

#### FIELD INSTALLED ACCESSORIES & OPTIONS

- Trayslides for 18" x 26" Sheet Pans
- Trayslides for 12" x 20" Food Pans
- Trayslides for 14" x 18" Sheet Pans
- Trayslides for 18" x 26, 12" x 20" & 14" x 18" Pans
- Additional Shelves
- Set of (4) 4 1/8" Casters in Lieu of Standard
- 6" High Legs



Intertek



This unit is listed to the applicable ETL and NSF Standards by an approved NRTL. Consult the factory or unit's data plate for approval information.

#### AVAILABLE CONFIGURATIONS

##### Half-Height Door Models

G21004P  
 G21005P  
 G21006P  
 G21007P

##### Control Side Hinging

Left/Right  
 Left/Left  
 Right/Left  
 Right/Right

##### Non Control Side Hinging

Left/Right  
 Left/Left  
 Right/Left  
 Right/Right

**\*Please refer to the G-Series Accessory Kit Guide for precise details. (Form TR35872)**

##### Full-Height Door Models

G21014P  
 G21015P  
 G21016P  
 G21017P

##### Control Side Hinging

Left/Right  
 Left/Left  
 Right/Left  
 Right/Right

##### Non Control Side Hinging

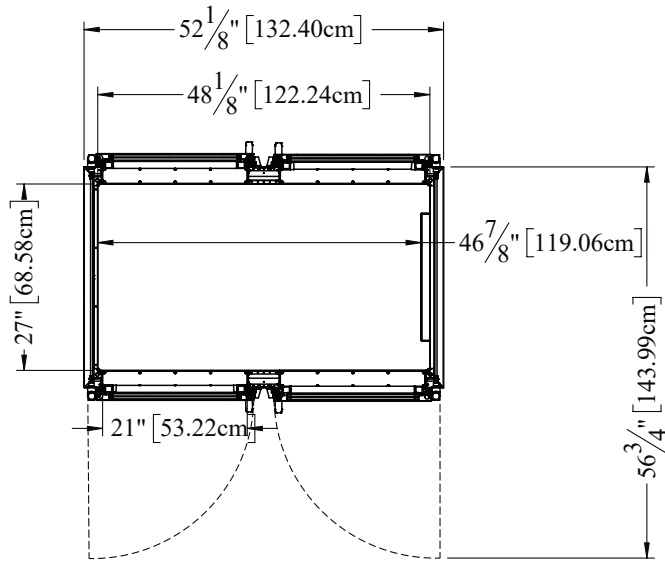
Left/Right  
 Left/Left  
 Right/Left  
 Right/Right

**-GUARANTEED FOR LIFE CAM-LIFT HINGES**

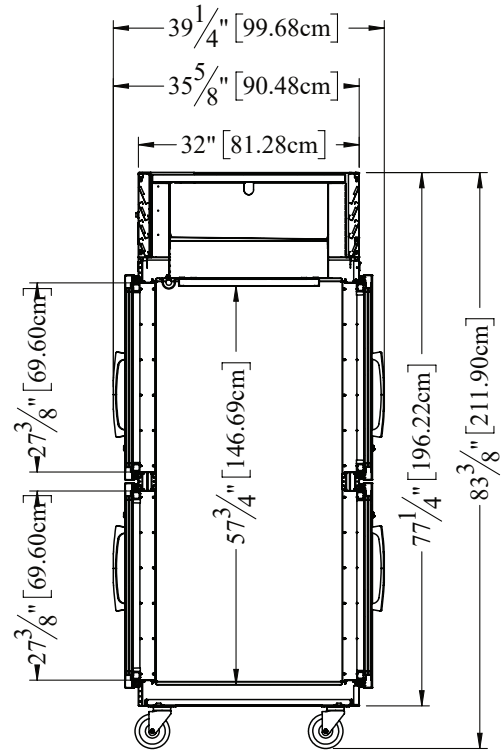
Approved by \_\_\_\_\_ Date \_\_\_\_\_ Approved by \_\_\_\_\_ Date \_\_\_\_\_

## MODELS

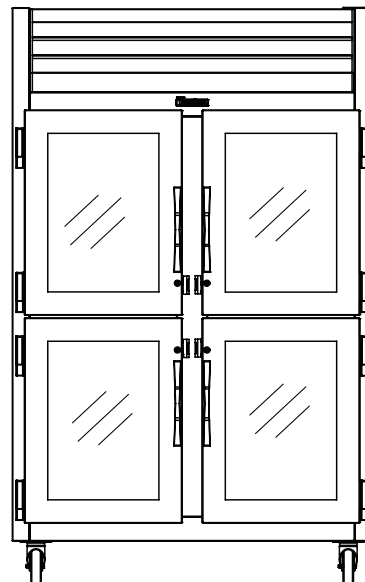
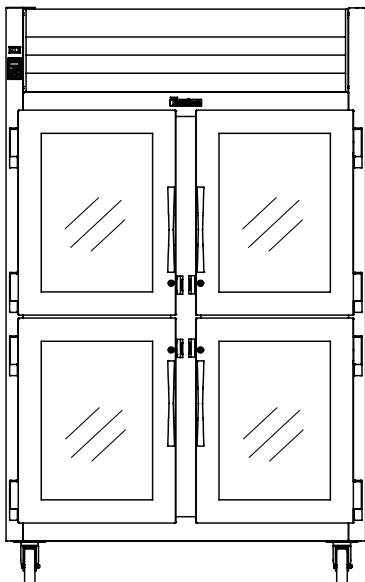
Half Height Door Models: G21004P, G21005P, G21006P, G21007P



TOP VIEW



SIDE VIEW



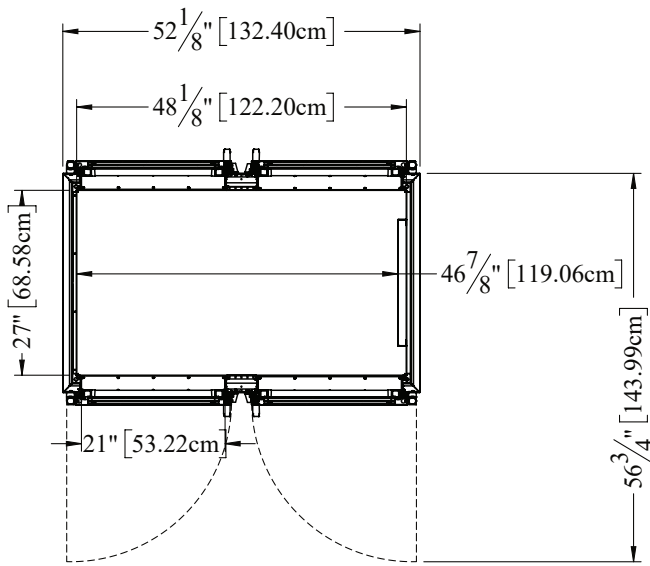
ELEVATION

# G-SERIES

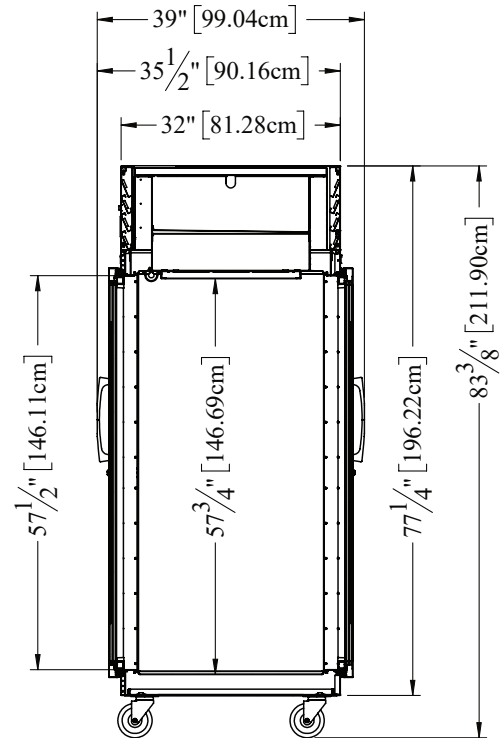
## 2-Section Refrigerator Pass-Thru Self-Contained Hinged Glass Door(s)

### MODELS

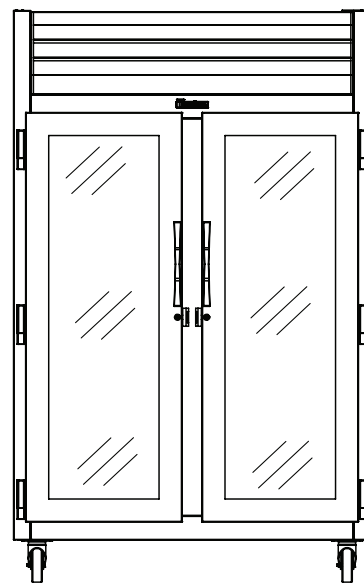
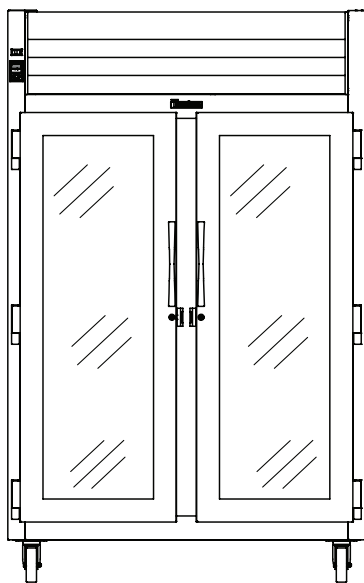
Full Height Door Models: G21014P, G21015P, G21016P, G21017P



TOP VIEW



SIDE VIEW



ELEVATION



# G-SERIES

## 2-Section Refrigerator Pass-Thru Self-Contained Hinged Glass Door(s)

### MODELS

Half Height Door Models: G21004P, G21005P, G21006P, G21007P

Full Height Door Models: G21014P, G21015P, G21016P, G21017P

### EQUIPMENT SPECIFICATIONS

MODELS	G210__P
<b>DIMENSIONAL DATA</b>	
Net Capacity cu. ft. <sup>1</sup>	49.84 [1411 l]   50.63 [1434 l]
Length - overall in.	52 1/8" [132.4 cm]
Depth - overall in.	39" [99 cm]
Depth - over body in.	32 [81.3 cm]
Depth - door open 90° in.	56 3/4" [144 cm]
Clear door width in.	21" [53.2 cm]
Clear half-door height in.	27 3/8" [69.6 cm]
Clear full-door height in.	57 1/2" [146.1 cm]
Height - overall on 6" legs in. <sup>2</sup>	83 3/8" [211.9 cm]
No. Standard Shelves	6
Shelf Area sq. ft. <sup>3</sup>	34.6 [3.21 sq m]
<b>ELECTRICAL DATA</b>	
Voltage   Plug	115/ 60/1   NEMA 5-15P (attached)
Full Load Amperes   KWH/24HR <sup>4</sup>	7.9   3.92
<b>REFRIGERATION DATA</b>	
Refrigerant	R-290
Refrigerant Charge oz.	4.5 [127.6 g]
BTU/HR   H.P. <sup>5</sup>	4100   3/4 HP
<b>SHIPPING DATA</b>	
Length - Crated in.	62" [157 cm]
Width - Crated in.	42" [107 cm]
Height - Crated in.	85" [216cm]
Volume Crated cu. ft.	128 [3625 l]
Weight - Crated lbs.	574 [260 kg]

#### CONSTRUCTION, HARDWARE, INSULATION

Cabinet exterior front, louver assembly and doors are constructed of heavy gauge stainless steel. Cabinet sides (including returns), interior and door liners are constructed of anodized aluminum. The exterior cabinet top and bottom are constructed of heavy gauge galvanized steel. A set of four [4] 6" [15 cm] high casters are included.

Doors are equipped with removable plug cylinder locks and guaranteed for life cam-lift, gravity action, self-closing metal, glide hinges with stay open feature at 120 degrees. An external switch is provided to activate the interior LED lighting.

Gasket profile and durable long life material simplify cleaning and increase overall gasket life. Anti-condensate heaters are located behind each door opening.

The cabinet is insulated with an average of 2" [5 cm] thick high density, non-CFC, foamed in place polyurethane.

#### SELF-CONTAINED REFRIGERATION SYSTEM

A top mounted, self-contained, refrigeration system using environmentally-friendly, low GWP R-290 refrigerant is conveniently located behind the one piece louver assembly. It features an easy to clean front facing condenser, thermostatic expansion valve, air-cooled hermetic compressor, large, high humidity evaporator coil located outside the food zone and a top mounted non-electric condensate evaporator. A 9' [2.7 m] NEMA cord and 5-15P plug is provided. Standard operating temperature is 34° to 38°F [1° to 3°C].

#### CONTROL

The easy to use water resistant microprocessor control system is supplied standard. It includes a 3-Digit LED Display with both a Fahrenheit or Celsius Temperature Scale Display Capability.

#### INTERIOR ARRANGEMENTS

Standard interior arrangements include three [3] epoxy coated wire shelves per section, mounted on shelf pins, installed at the factory. Shelves are full-width, and do not have any large gaps between them requiring the use of "bridge" or "junior shelves." Recommended load limit per shelf should not exceed 225 lbs. [102kg].

#### DOMESTIC WARRANTY

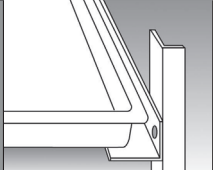
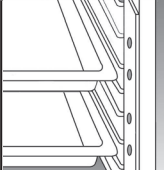
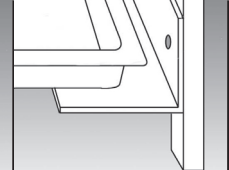
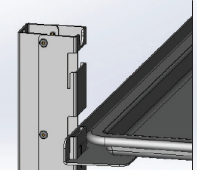
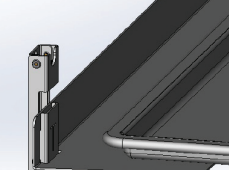

Both a six year parts and labor warranty and a seven year compressor warranty [self-contained models only] are provided standard.

When ordering please specify: Voltage, Hinging, and Options.

Equipped with one NEMA 5-15P Plug 

#### NOTES:

1. Net Capacity cu. ft. = Half Height Door | Full Height Door models.
2. 12" Top clearance preferred for optimum performance & service access.
3. Figure shown reflects the area of standard shelf complement.
4. KWH/24HR = Kilowatt usage per 24 hours
5. Based on a 90°F ambient and 20°F evaporator.

OPTIONAL ACCESSORY TRAYSLIDE VERSATILITY CHART						
TRAYSLIDE DRAWINGS						
TRAYSLIDE OFFERING	#1 (1) 18" x26" or (2) 14"x18"	#4 (Rod Type) (1) 18" x26"	Universal (1) 18" x26" or (2) 14"x18" or (2) 12"x20"	#1 EZ-Change (1) 18" x26" or (2) 14"x18"	Universal EZ-Change (1) 18" x26" or (2) 14"x18" or (2) 12"x20"	HD Universal EZ-Change (1) 18" x26" or (2) 14"x18" or (2) 12"x20"
SPACING CAPACITY DOOR SIZE	2" 28 Pairs Full Door & 13 Half 3" 19 Pairs Full Door & 09 Half 4" 14 Pairs Full Door & 07 Half 5" 11 Pairs Full Door & 05 Half	1 1/2" 38 Pairs Full Door [2 Pair] 1 1/2" 18 Pairs Half Door [1 Pair]	4" 14 Pairs Full Door & 06 Half 4" 14 Pairs Full Door & 07 Half 5" 11 Pairs Full Door & 05 Half 6" 09 Pairs Full Door & 04 Half	2" 26 Pairs Full Door & 12 Half 4" 13 Pairs Full Door & 06 Half	2 1/4" 22 Pairs Full Door & 11 Half 4 1/2" 11 Pairs Full Door & 05 Half	4 1/2" 11 Pairs Full Door & 05 Half 9" 05 Pairs Full Door & 02 Half

- Upper Half Height Door<sup>1</sup>
- Lower Half Height Door<sup>2</sup>

CONTINUED PRODUCT DEVELOPMENT MAY NECESSITATE SPECIFICATION CHANGES WITHOUT NOTICE.